

PROX-240S

PA SINGLE ZONE AMPLIFIER



DESCRIPTION

Public Address Amplifier

The best tool for sound coverage of areas.

Reliable for long working days.

Distributed audio for PA installations with 100 speakers, also with low impedance output.

User-friendly operation and a modern, discreet design.

A solution that fits any budget.

Secure, durable connections with low maintenance.

Can be used on the desktop or installed in a rack.

Perfect for PA and piped music systems with 100 V or low-impedance line loudspeakers. Commercial premises, educational centres, monuments, exhibitions, bars, restaurants, etc.

TECHNICAL CHARACTERISTICS

FEATURES	<p>PA Amplifier</p> <p>Microphone inputs with mix, gain and priority level control.</p> <p>Tone controls.</p> <p>100 V and 4 Ohm outputs.</p>
POWER	<p>240 W RMS</p>



Expand product information on:
<https://fonestar.com/es/PROX-240S>

RESPONSE	40-20,000 Hz (-10 dB)
DISTORTION	THD+N: < 1% @ 1 kHz
S/N RATIO	>77 dB
PROTECTIONS	Overcurrent, DC and short-circuit at the output
INPUTS	CH 1 balanced mic/line with 48V Phantom, Combo connector (XLR + 6.3mm) and euroblock CH 2, 4 and 4 mic/line balanced with 48V Phantom. Euroblock connector Mic signal level: 6 mV RMS (-44 dBV) / 600 Ohm Line signal level: 250 mV RMS (-12 dBV) / 100k Ohm 2 AUX. 2 x RCA and euroblock connector. Signal level 300 mV RMS (-10 dBV) / 47,000 Ohm 1 emergency. Euroblock connector. Signal level loudspeaker line 100 V 1 Mute (Emergency Priority) by contact closure. Euroblock connector
OUTPUTS	1 line. 2 x RCA connector. Signal level 1.25 V RMS (+2 dBV) 100 V or 4 Ohm speaker output. Connector screw terminals
IMPEDANCE	4 Ohm and 100 V (42 Ohm) line
FUNCTIONS	Input priority (voice over VOX inputs): 100V Emergency input with highest priority, attenuates all other inputs. Mute by contact closure, attenuates all inputs except the 100 V Emergency input. Channel 1 with priority over all other inputs, level selectable. Channel 2, 3 and 4 with priority over auxiliary inputs, level selectable. Other functions: Power on, protection, signal peak and output signal indicator lights Temperature-controlled forced ventilation cooling
CONTROLS	Microphone volume Mic/line/phantom selector Master volume Aux input selector Tone: bass and treble (+/- 10 dB 100 Hz and 10k Hz) Microphone gain Priority activation signal level (VOX)



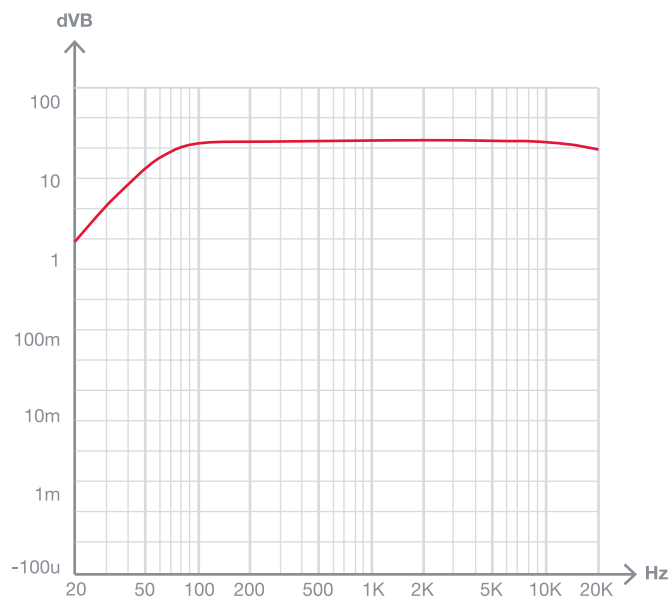
Expand product information on:
<https://fonestar.com/es/PROX-240S>

OPERATING TEMPERATURE	Operation: 0° ~ 40°C
MAXIMUM HUMIDITY	95%
POWER SUPPLY	230/115 V AC 50-60 Hz, 480 W Fuse AC 230 V 4 A / 115 V 8 A
DIMENSIONS	433 x 89 x 360 mm depth. 2 U 19" rack
WEIGHT	11'3 kg
ACCESSORIES	Power cable Rack mounts

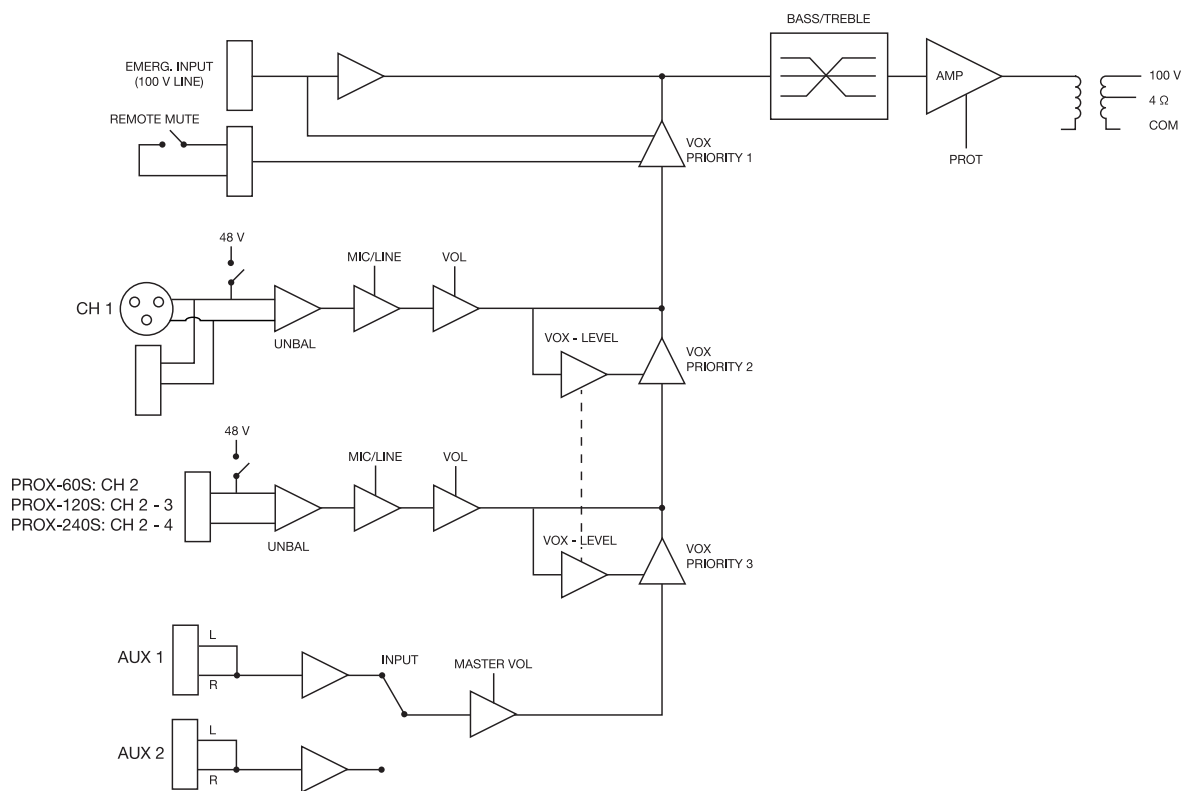


Expand product information on:
<https://fonestar.com/es/PROX-240S>

Frequency response



Block diagram



Amplia la información de los productos en:
<https://fonestar.com/es/PROX-240S>